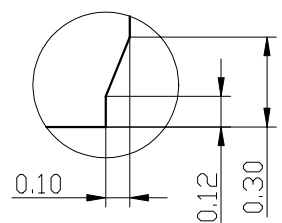
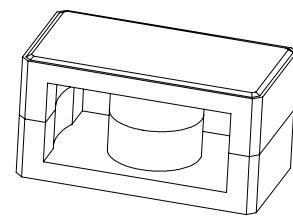
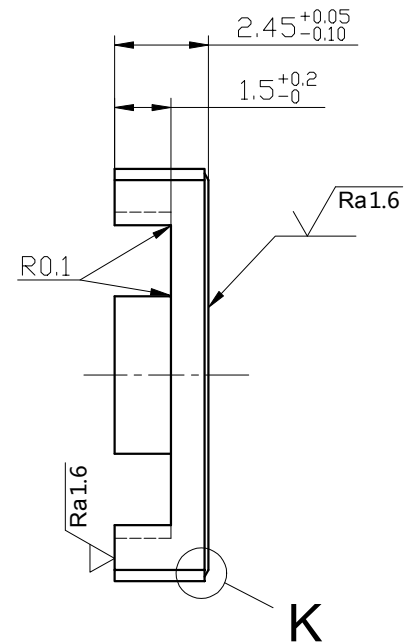
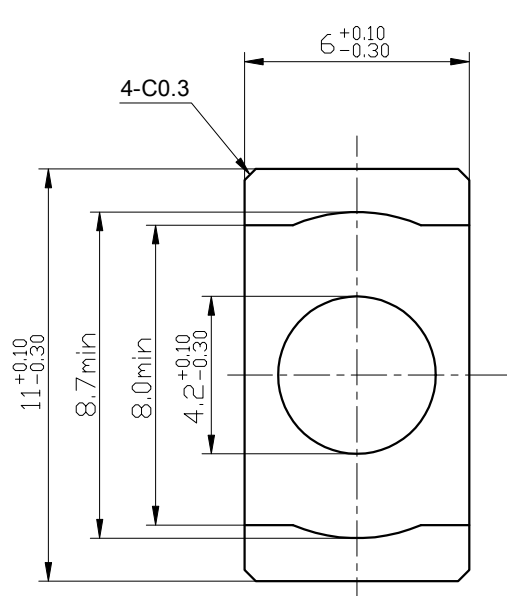


REVISION HISTORY			
Rev	DESCRIPTION	DATE	APPROVED



Detail K

	Scale	5: 1	Material	Customer Part number	
	Unit:	mm		Standard tolerances	ER11/2.5/6 set
		±0.1		Product Name	
				EER-11A	
Approved by	Created by	Document type	Rev	Drawing No.	
Y.Higuchi	H.Huang	Production drawing	00	PY170707M02	
Hitachi Metals (Hong kong) Ltd. Panyu Factory			Date of issue	Sheet	
			Jul 07 2017	1/1	